

New family 4 DIN IPG

New models and EOL of current iPro controllers

PN 05/21 JULY



Emerson improves the offer of the family of programmable iPro controllers, in 4 DIN format, with a renewed series of products with new important features, mostly regarding connectivity. Current devices are going to be replaced with new models featuring higher performances and fully compatible with regards to pin-out and management of existing applications.

This product line allows new advanced operations while maintaining the connectors numbering to assure pin-to-pin compatibility with any possible controller in the field. New codes are already available, depending on the model.

Starting from September 2021 current 4 DIN IPG controllers can no longer be ordered, since their family will phase out.

1. New features

1.1 Wi-Fi Connectivity



It will be possible to connect an iPro to an existing Wi-Fi network through a nano dongle or to create a personal Access Point to log in directly to the controller via mobile devices (Smartphone, Tablet or PC).

1.2 CPU enhancement



CPU has been enhanced to increase the device performances and flash memory has been upgraded to 512MB to allow an improved data logging process and the use of advanced features.

1.3 Remote update and restoring



This function will allow the developer to update any file within the iPro, including the Operating System, through a dedicated access to an FTP inside the controller. In this way, an efficient remote assistance service and a greater freedom for the developer will be granted.

A new feature for the restoring of the Operating System and the application has been introduced; in case of errors during the System upgrade phase, the programmable controller will be able to go back to its previous state and restore old files to guarantee the machine/system operation, reporting any possible update problem to the operator.

1.4 High compatibility



The new controllers have been specifically designed to be pin-to-pin compatible with the current ones, in order to guarantee to customers the continuity of their wiring diagrams.

1.5 New IPCH interface

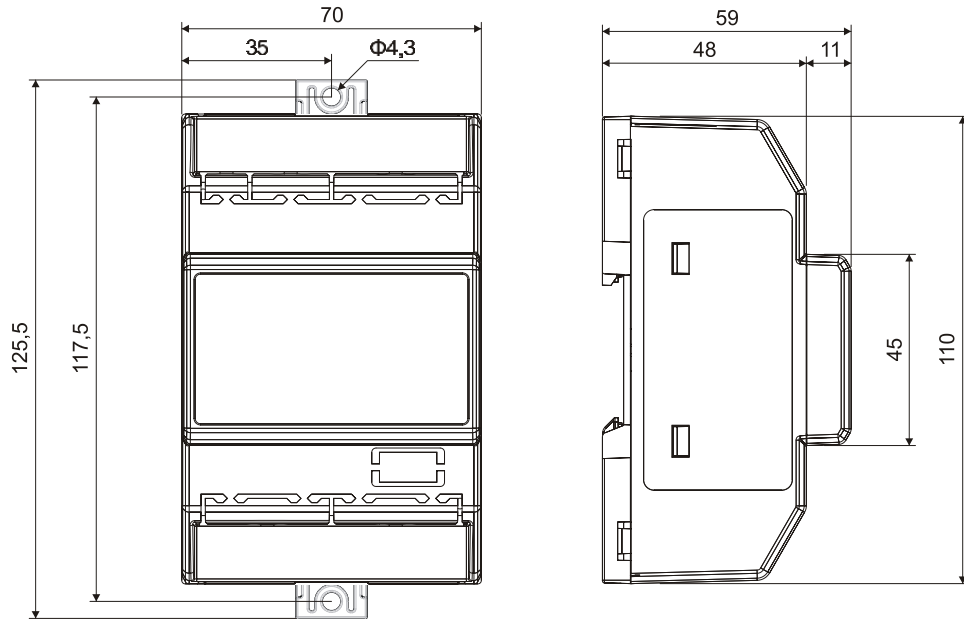


These controllers, besides Visotouch and Visograph HMI, can also support the IPCH 32x74mm keyboard. The new interface is fully programmable via iPro and it is suitable to all HVAC/R units.

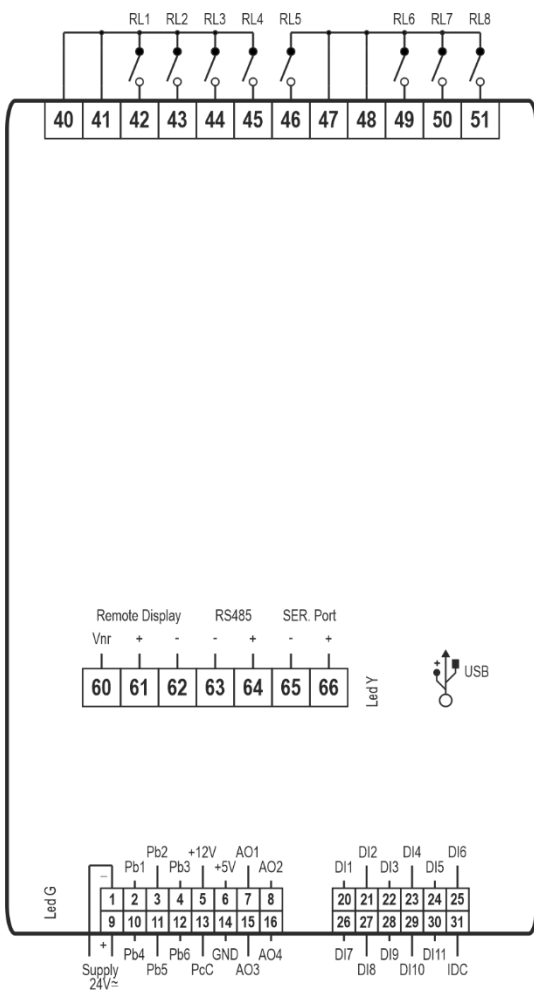
2. Hardware features

	IPG108D/E	IPG208D/E
Format	4 DIN Rail	4 DIN Rail
Power Supply	24Vac/dc from TF20D/TF40D	24Vac/dc from TF20D/TF40D
Probe inputs	6 config	6 config
Optoinsulated digital inputs	11 config	11 config
Configurable relay outputs	8x5A	8x5A
Other outputs		
0÷10V or 4÷20mA	4 config	4 config
Serial port	RS485 or LAN (2 wires)	RS485 or LAN (2 wires)
RS485	pres	pres
USB	pres	pres
Other		
Remote display output	pres	pres
Real time clock	pres	pres
Flash memory	512MB	512MB
Connections	disconnectable	bayonet + screw
Connections kit	IP-FC108, DWS30-KIT	IP-FC208
BACnet® protocol	opt	opt

2.1 Dimensions



2.2 Wiring diagram



3. How to order

IPG108D-10 **CDEE**

IPG108E-10 **CDEE**

IPG208D-10 **CDEE**

IPG208E-10 **CDEE**

C		D		E	
Ethernet protocol		Serial Port		Other	
0	None	3	LAN	2	DI 24Vac\Vdc
3	Bacnet® present	4	RS485	3	DI Dry Contacts

4. Pricing

Please contact our Sales Department for product pricing and further information.

5. Availability and orders

All models:

- Current models phase out September 2021
- New codes already available

Please contact our Sales Department for further information.